

imanpack

PACKAGING & ECO SOLUTIONS

MOONLIGHT WET WIPES

Flow-wrapper for wet wipes

Horizontal wrapping machine with extended sealing time and 4-axis electronic control.

Specifically designed for wet wipes packaging.



Version with bottom reel holder

Product range

Length: da 50 a 500 mm

Width: da 20 a 200 mm

Height: fino a 150 mm



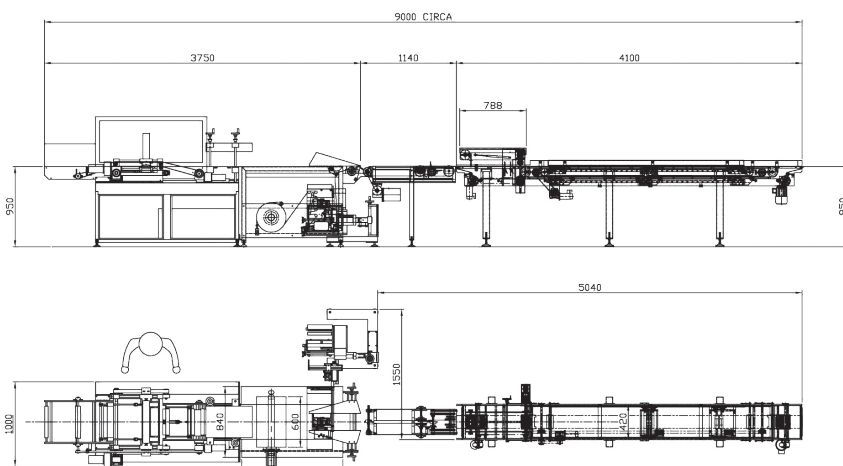


ACCESSORIES

- Automatic feeding.
- UVC lamps for film sterilization.
- Gas injection.
- Oxygen residual continuous analyzer.
- Mechanical bellows.
- Labelling systems.
- Print-on-film systems.
- Wire cutting and film trimming device.

TECHNICAL FEATURES

- Stainless steel mainframe.
- 2500 mm infeed conveyor belt.
- Top or bottom reel-holder for reels up to 600 mm in width.
- Universal forming unit adjustable by handwheel.
- Longitudinal sealing unit adjustable in height with two pairs of sealing wheels and two flap folding wheels.
- Cross sealing unit adjustable in height with 400 mm sealing bars.
- Four brushless motorizations driven by a Rockwell Allen Bradley® control:
 - cross sealing jaws stroke
 - longitudinal sealing wheels
 - transport belt through the sealing jaws
 - infeed conveyor
- Control panel on the machine frame.
- Machine built according to CE standard.



layout

imanpack

PACKAGING & ECO SOLUTIONS

Via Lago di Bolsena, 19 36015 Schio (VI) ITALY
Tel. +39.0445.578.811 Fax+39.0445.575.111
www.imanpack.it email: info@imanpack.it