

MICROVERT M700

Vertical Form-Fill-Seal Bagging Machine (VFFS)

Automatic vertical bagging machine for low, medium and high density polyethylene or heat sealing film.
Control and command via PLC.



(Version for double-line pack)

Bag size

Width: up to 330 mm

Speed

Up to 40 bags/min



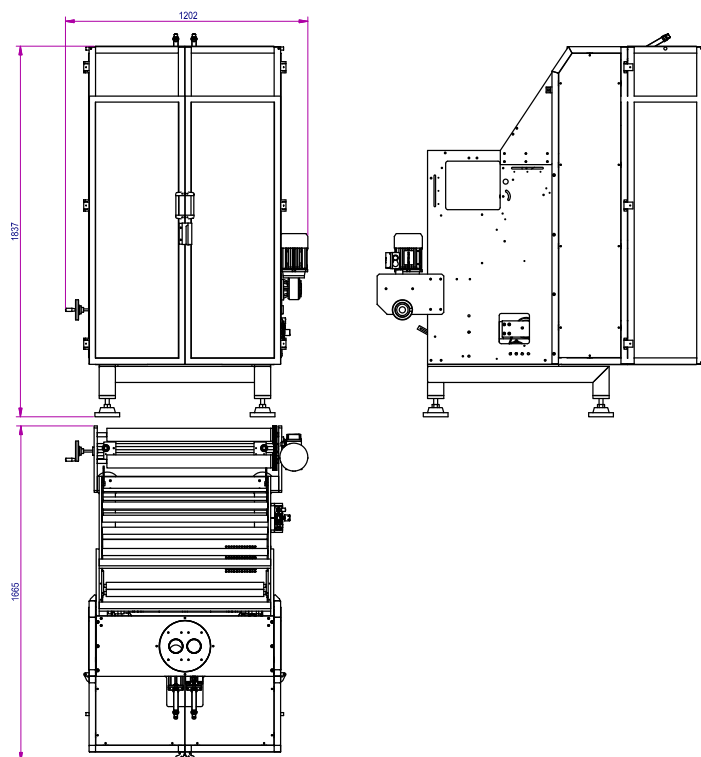


ACCESSORIES

- Print-on-film systems.
- Special forming tube for double or triple line packaging.

TECHNICAL FEATURES

- Anodised aluminium structure.
- Power driven reel holder for reels up to 700 mm wide.
- Film centring on forming tube system.
- PTFE-belt film feed device.
- Encoder type bag length adjustment.
- PLC type control system.
- Machine built according to CE Standards.



(Version for double-line pack)

layout

imanpack

PACKAGING & ECO SOLUTIONS

Via Lago di Bolsena, 19 36015 Schio (VI) ITALY
Tel. +39.0445.578.811 Fax+39.0445.575.111
www.imanpack.it email: info@imanpack.it