

imanpack

PACKAGING & ECO SOLUTIONS

MICROPAC BAGMATIC

Automatic Flow-wrapper (HFFS)

Horizontal wrapping machine with extended sealing time and reel holder from below for polyethylene film. Exceptionally rapid format changes make it ideal for small production batches, where the frequency of interventions imposes maximum savings in time.

The machine immediately changes format as soon as the new pack data is entered, and no further action is required of the operator.

Suitable for both heavy and delicate products.



Product range

Length: from 75 mm

Width: from 40 to 180 mm

Length variation range: 25 mm

Speed

Up to 50 pack./min



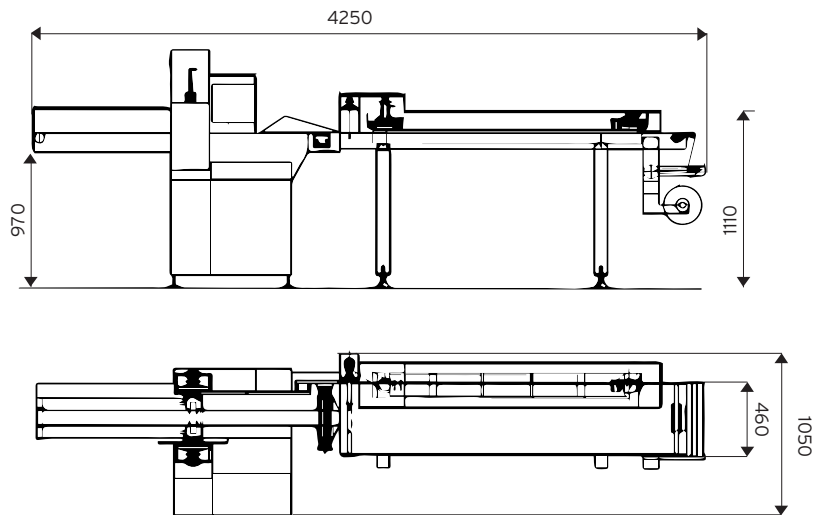


ACCESSORIES

- Automatic feeder system.
- European hole punch.
- Labelling and printing machines.
- Gas supply system.
- Print centering photocell.

TECHNICAL FEATURES

- Reel holder from below for reels up to 400 mm wide.
- Universal forming unit adjustable using a hand-wheel.
- Feeder conveyor belt 2000 mm in length.
- Longitudinal sealing unit with rubber wheels and teflon coated belts coupled with heated pads.
- Long sealing time transversal sealing unit with 200 mm sealing bars driven by pneumatic cylinders.
- Longitudinal sealing unit adjustable in height.
- Motor with adjusting inverter.
- PLC with Imanpack user interface.
- Machine built according to CE Standards.



layout

imanpack

PACKAGING & ECO SOLUTIONS

Via Lago di Bolsena, 19 36015 Schio (VI) ITALY
Tel. +39.0445.578.811 Fax+39.0445.575.111
www.imanpack.it email: info@imanpack.it